

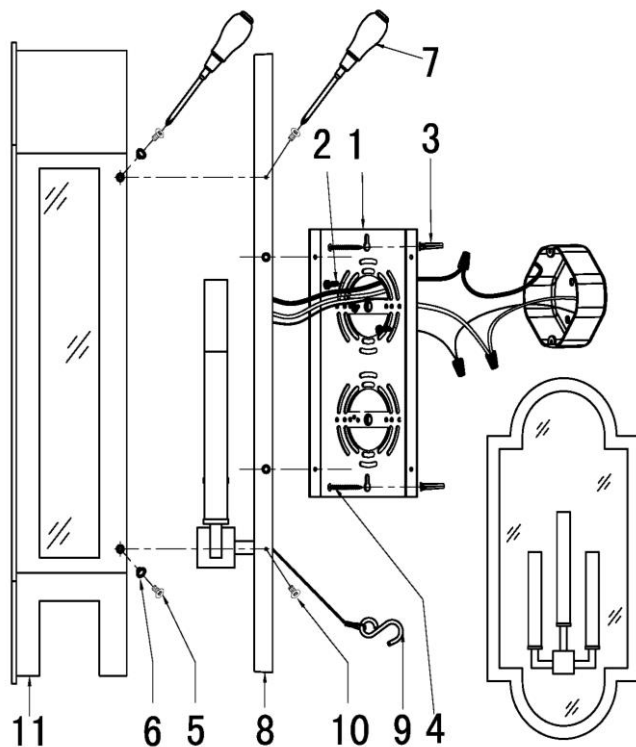


LIGHTING FIXTURE COMPANY

## ASSEMBLY AND INSTALLATION INSTRUCTIONS for the **934531** Outdoor Fixture

### Important Safety information (Please read before proceeding)

1. Remove the fixture, parts and all mounting hardware bags (orange) from the carton and verify that all parts are present according to the illustration sheet. All parts must be used as indicated. Do not replace any parts, leave any parts out, or use any parts which are worn out or broken. **Failure to follow the instructions could cause a hazardous situation, voids the warranty and violates the U.L. listing of the fixture.**
2. To prevent the electric shock, turn off the main power at the circuit breaker before installing the fixture. **NEVER attempt to install, clean or replace bulbs without shutting off the electricity to the fixture.**
3. **Never use light bulbs with wattage ratings that exceed the fixtures maximum rating.** Always make sure the electric current is turned off before changing the bulbs.
4. If you experience difficulties installing the lighting fixture or it fails to work as expected, please contact a local qualified licensed electrical contractor.
5. Please contact your local Capital Lighting Fixture reseller with any assembly or installation questions. Your local reseller can also provide you with replacement parts for your new fixture.



### Components

1. Mounting Bracket w/Green Screw
2. Outlet Box Mounting Screws
3. Plastic Anchor
4. Wood Screw
5. Mounting Screw
6. Rubber Washer
7. Philips Screw Driver (not provided)
8. Fixture
9. Safety Cable w/Hook
10. Mounting Screw
11. Décor Cage

### Assembly Instructions for the 934531 outdoor fixture

1. Disassemble the pre-installed Decor Cage (11) from Fixture (8), then take out the protecting crushing materials.
2. Find appropriate threaded holes on Mounting Bracket (1), then assemble Mounting Bracket (1) to mounting surface using hardware suitable for material of mounting surface. Mark position of holes on mounting surface before using provided Plastic Anchors (3), drill appropriate holes and assemble as illustrated.
3. Attach Mounting Bracket (1) to Outlet Box with Outlet Box Mounting Screws (2), and to mounting surface with Wood Screws (4) tightly.
4. Put Canopy of Fixture (8) toward outlet box, then hang it on Mounting Bracket (1) with Safety Cable w/Hook (9) as the illustration shown. *Note: This will allow for fixture to be supported while wire connections are made.*
5. Raise Fixture (8) toward outlet box, then connect fixture ground wire to outlet box ground wire with wire connector supplied; connect white fixture wire to the white power supply wire with wire connector supplied; connect black fixture wire to the black power supply wire with wire connector supplied.
6. Push Canopy of Fixture (8) to mounting surface, make sure mounting holes in Canopy of Fixture (8) and Mounting Bracket (1) are in line, verify all wires are securely inside Canopy of Fixture (8) and Mounting Bracket (1), and carefully passing Mounting Screws (10) through holes, then secure Canopy of Fixture (8) to mounting surface with Mounting Screws (10) and Philips Screw Driver (not provided) (7).
7. Insert recommended bulbs per wattage label indicated onto Sockets.
8. Push Decor Cage (11) toward Canopy of Fixture (8), make sure assembling holes of both Decor Cage (11) and Canopy of Fixture (8) are in line, then secure them with Rubber Washers (6), Mounting Screws (5) and Philips Screw Driver (not provided) (7).

### Note: Guide for Outdoor Mounting Fixture and/or in Wet Locations:

1. Mounting surface should be clean, dry, flat and 1/4" larger than the canopy on all sides. Any gaps between mounting surface and canopy exceeding 3/16" should be corrected as required.
2. Use silicone caulking compound (not provided), caulk completely around where back of canopy meets the wall surface to prevent water from seeping into outlet box.